



Roca

DECK T

DECK T SQUARE



A5A9C88C00

DECK T ROUND



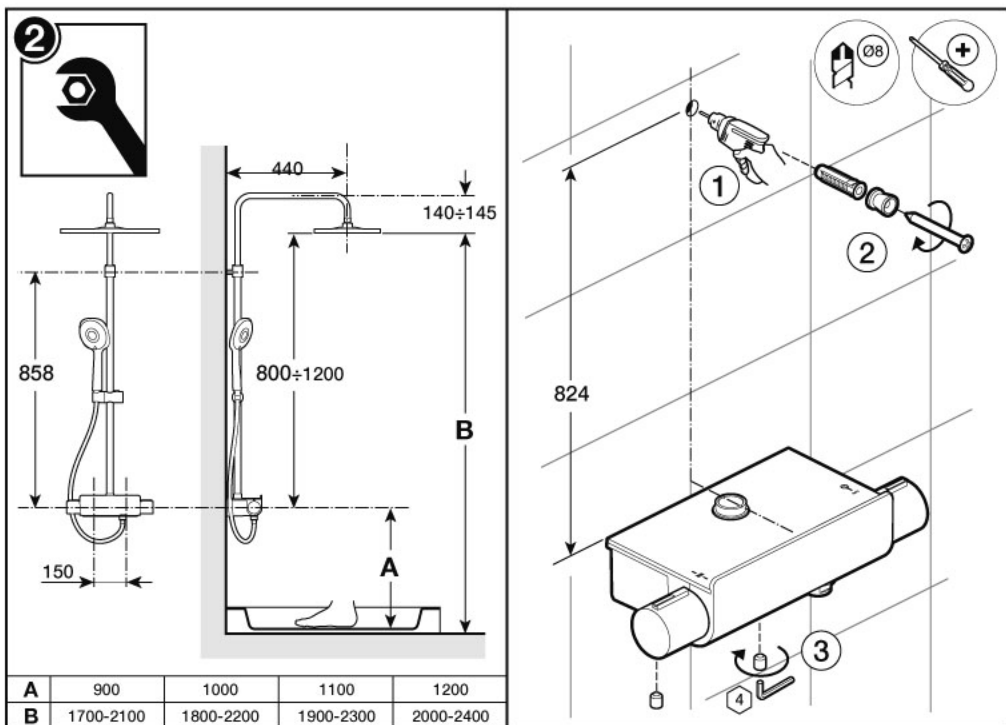
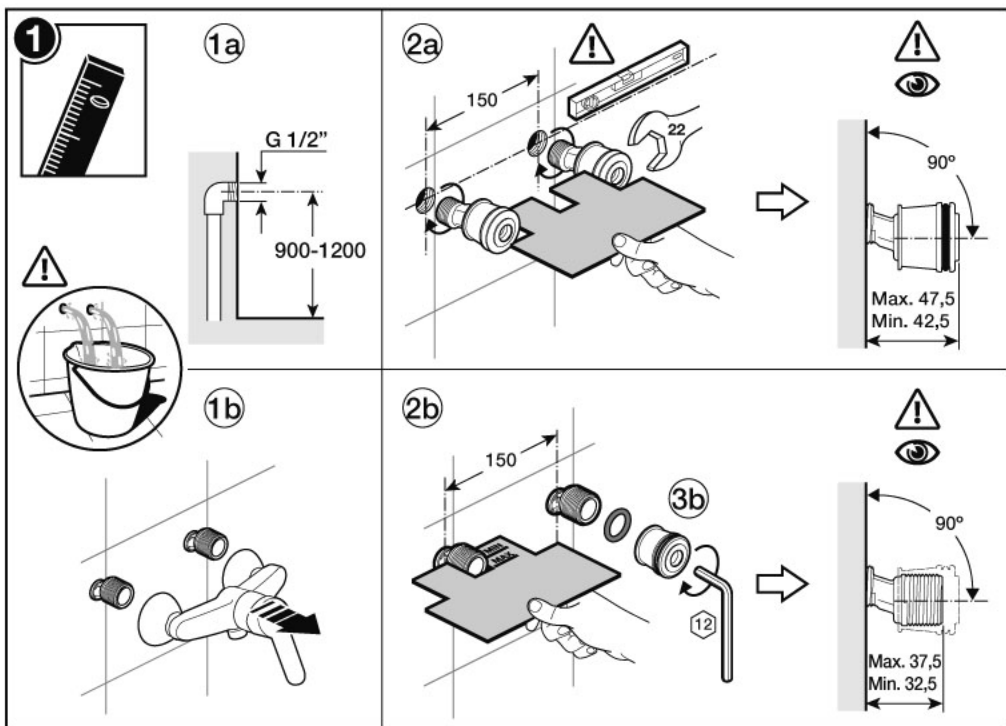
A5A9788C00

T 2000

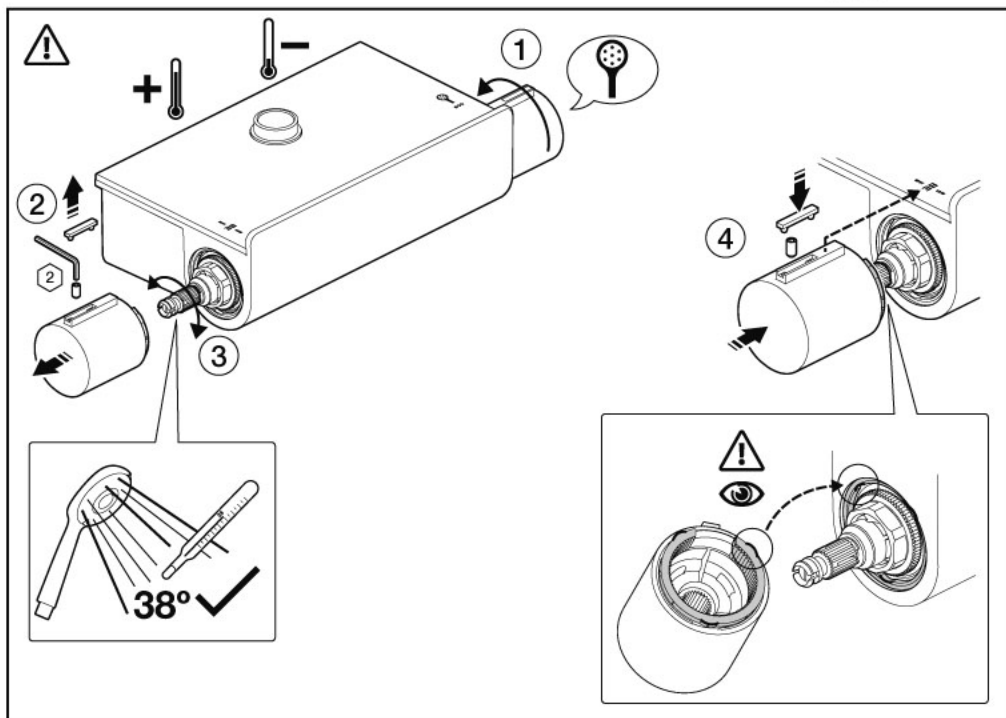
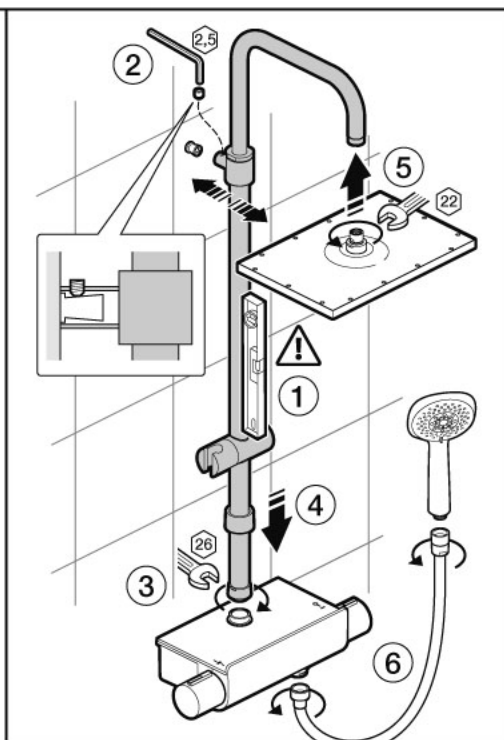
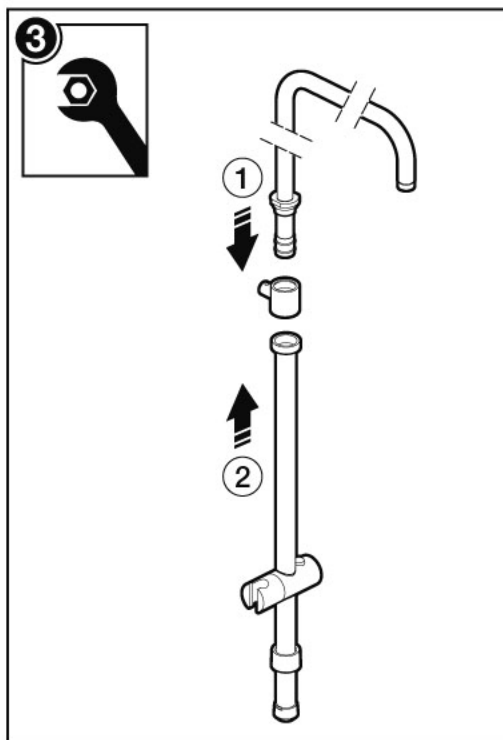


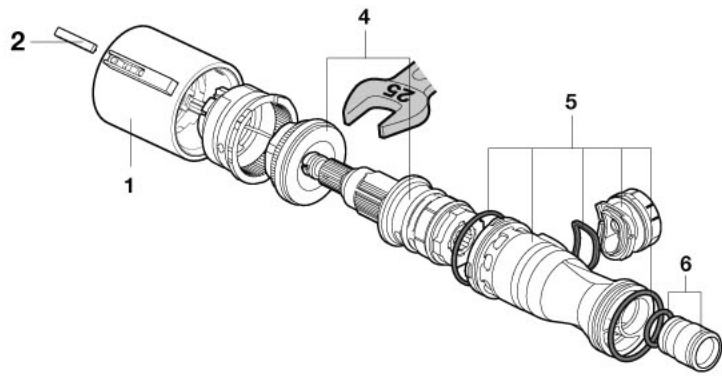
A5A2A88C00



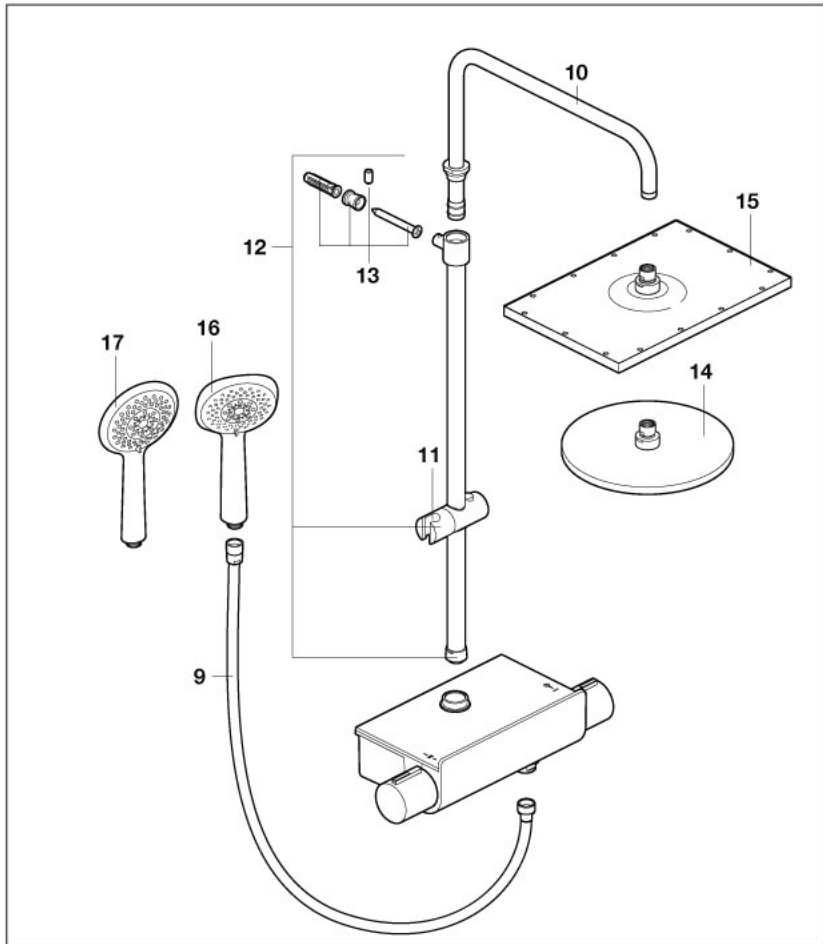
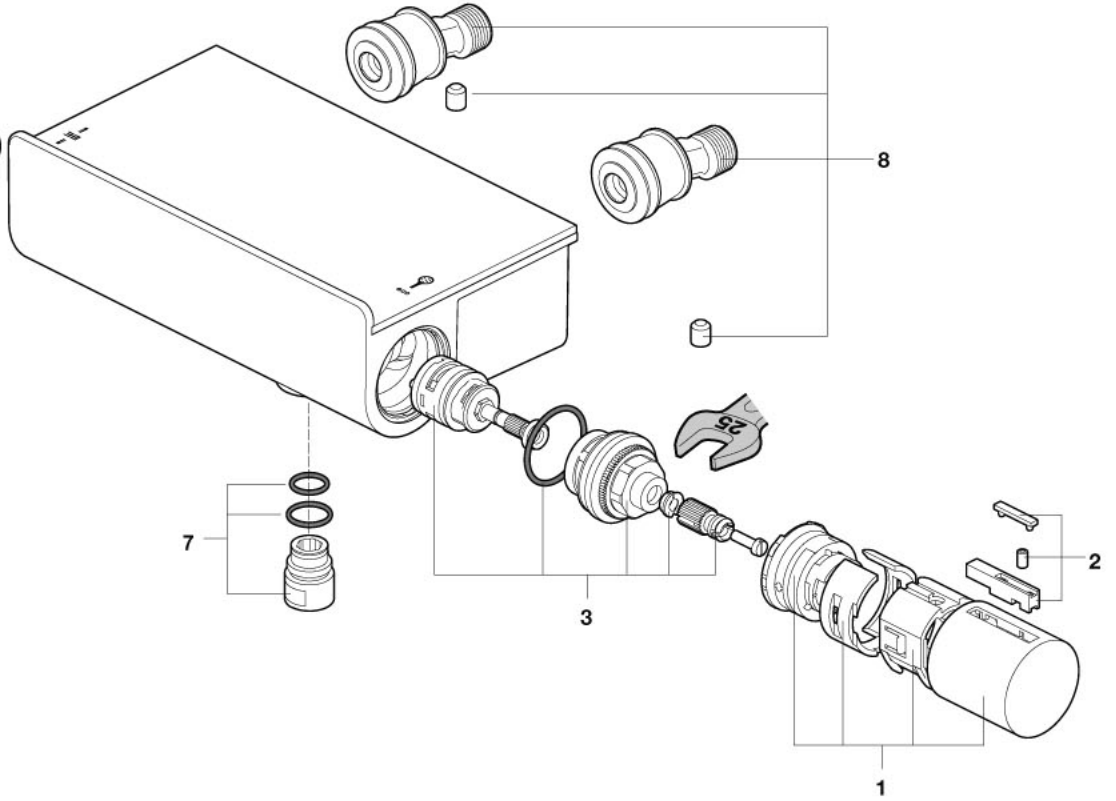


A	900	1000	1100	1200
B	1700-2100	1800-2200	1900-2300	2000-2400



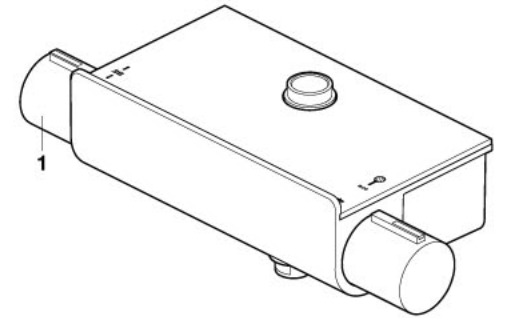


A5A2A88C00



A5A9C88C00

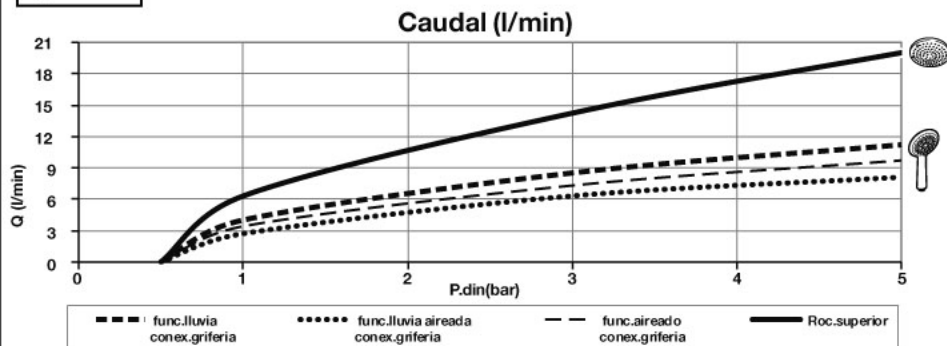
A5A9788C00



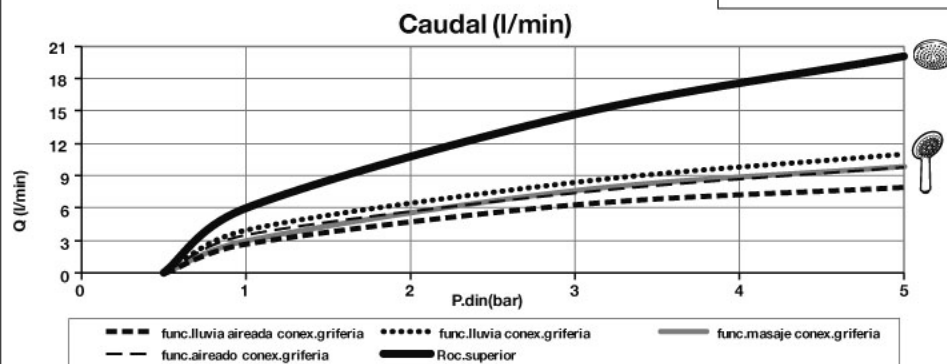
5



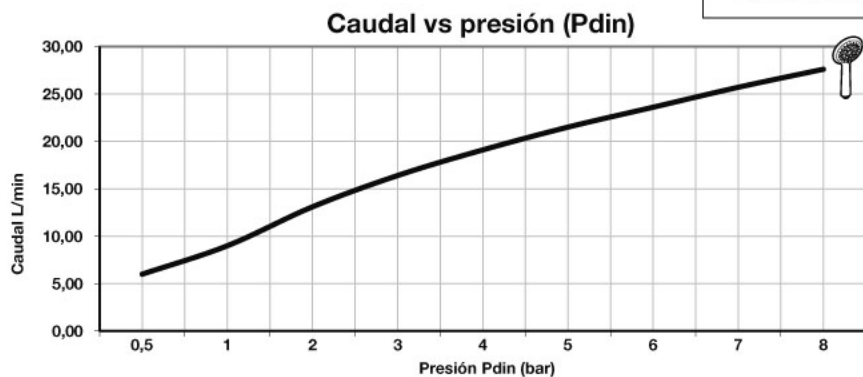
A5A9788C00

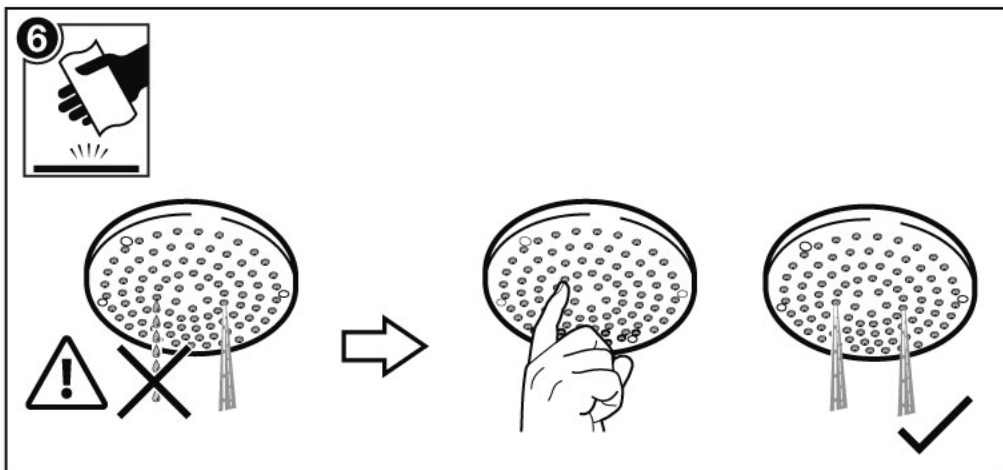









































A5A9C88C00



A5A9C88C00





 P 	P bar	 MAX. 10				
 P 	P bar	<table border="1"> <tbody> <tr> <td>MIN. 0,5  MAX. 5</td> <td> 3 1 </td> </tr> <tr> <td> \downarrow  \downarrow  \downarrow - \uparrow  \uparrow \leq 2</td> <td></td> </tr> </tbody> </table>	MIN. 0,5  MAX. 5	 3 1 	 \downarrow  \downarrow  \downarrow - \uparrow  \uparrow \leq 2	
MIN. 0,5  MAX. 5	 3 1 					
 \downarrow  \downarrow  \downarrow - \uparrow  \uparrow \leq 2						
 T	°C	<table border="1"> <tbody> <tr> <td> 80 MAX. 45 MIN.</td> <td> 65 50 </td> </tr> </tbody> </table>	 80 MAX. 45 MIN.	 65 50 		
 80 MAX. 45 MIN.	 65 50 					
 Q (3 bar)	l/min	 12 				

1- AG0091200R
2- AG0091307R
3- A525016803
4- A525015803
5- A525015907

6- A525017203
7- A525016609
8- AG0118703R
9- A525009900
10- AG0082400R

11- AG0087600R
12- AG0120300R
13- AG0119003R
14- A5B2250C00
15- A5B3050C00

16- A5B1108C00
17- A5B1107C00

