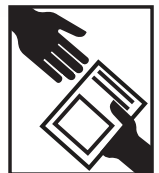


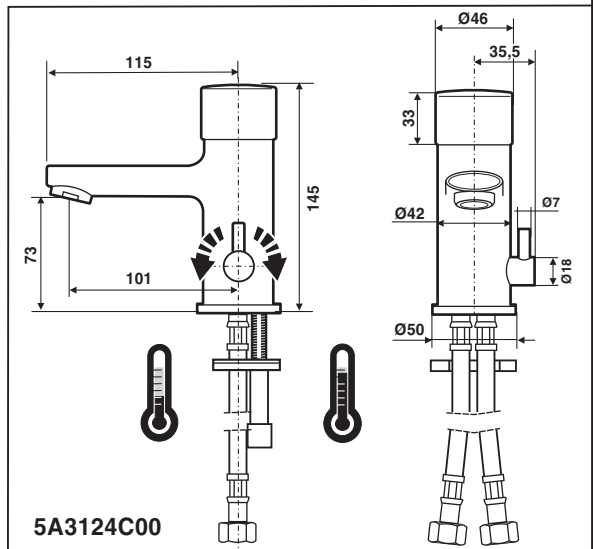
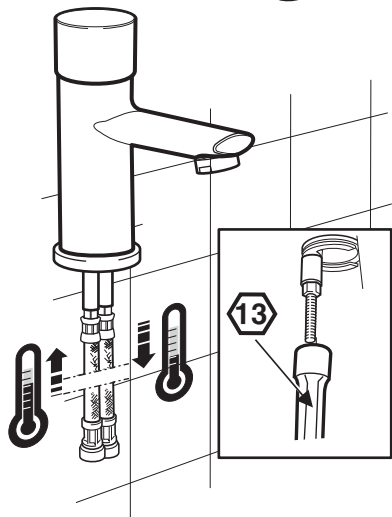
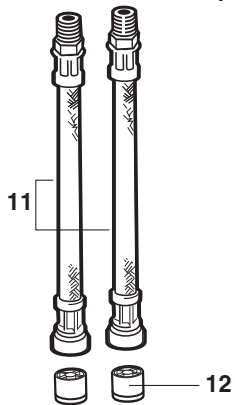
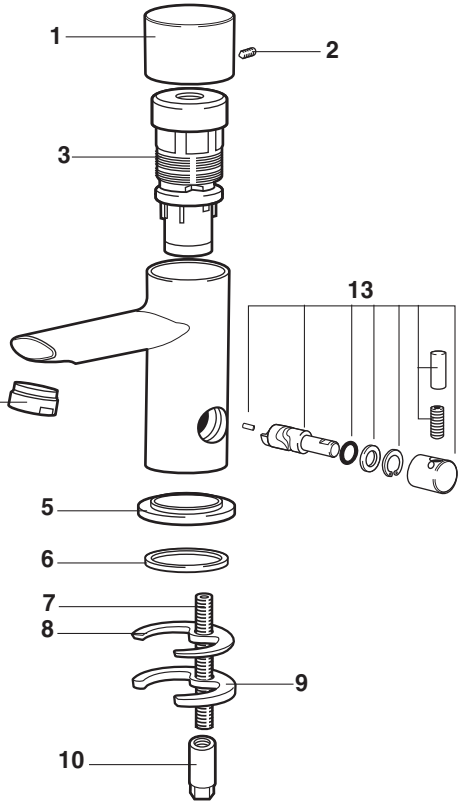
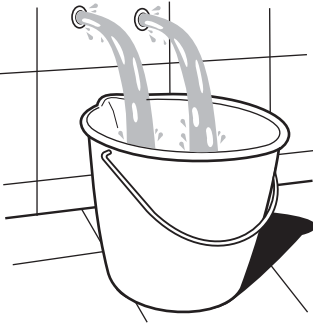


Roca

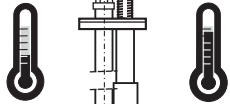
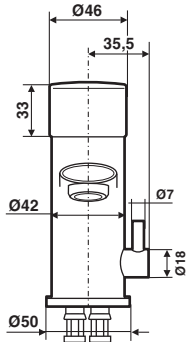
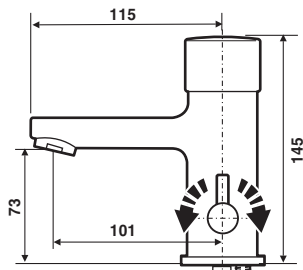
SPRINT-N



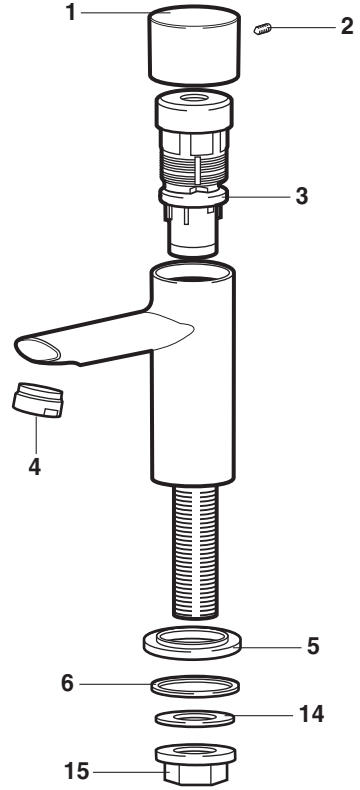
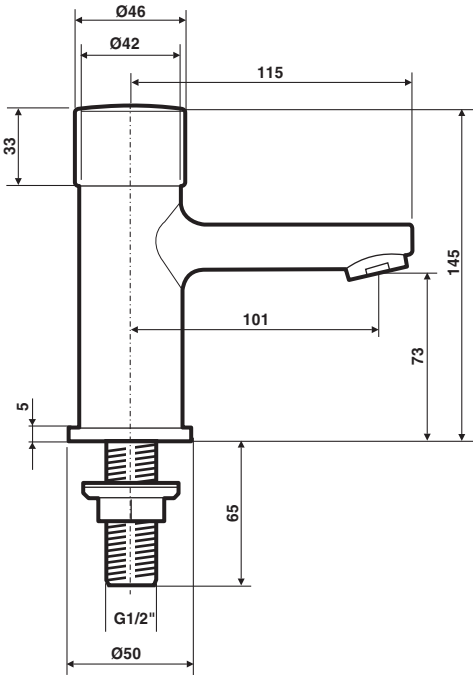
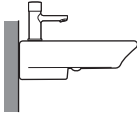
1



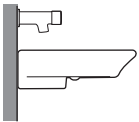
5A3124C00



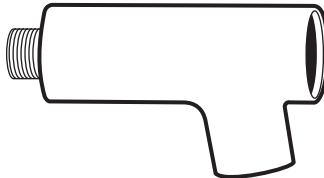
2



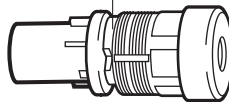
5A4224C00



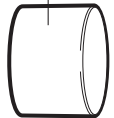
20



18



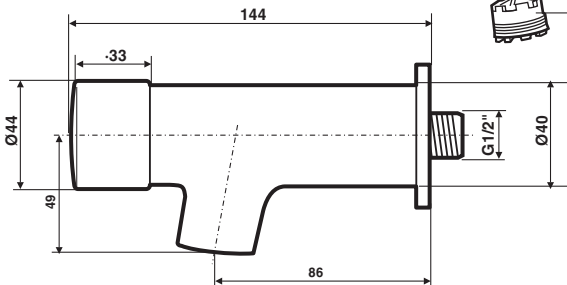
16



17

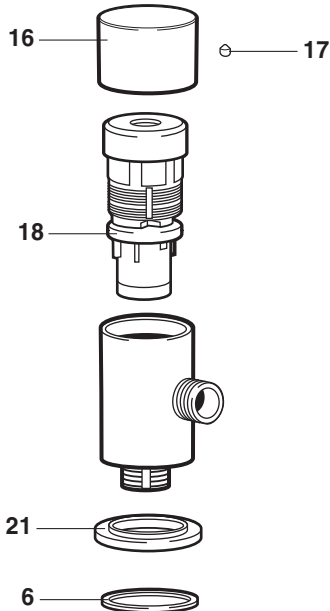
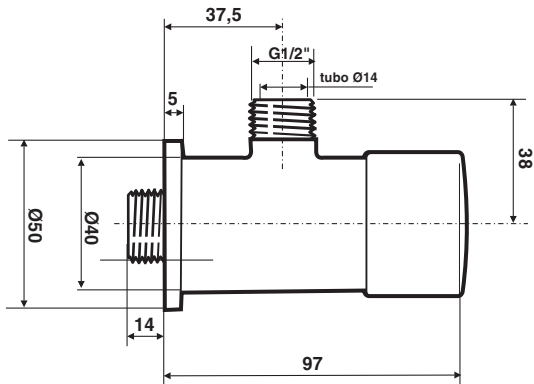


19

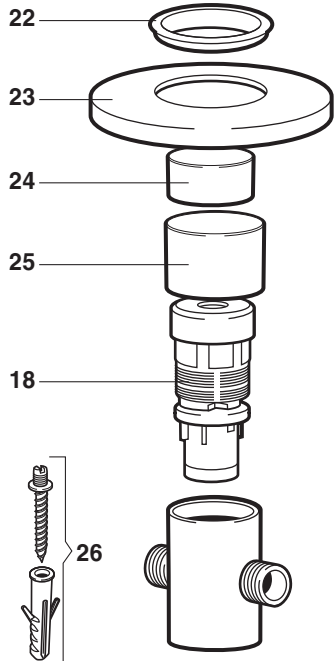
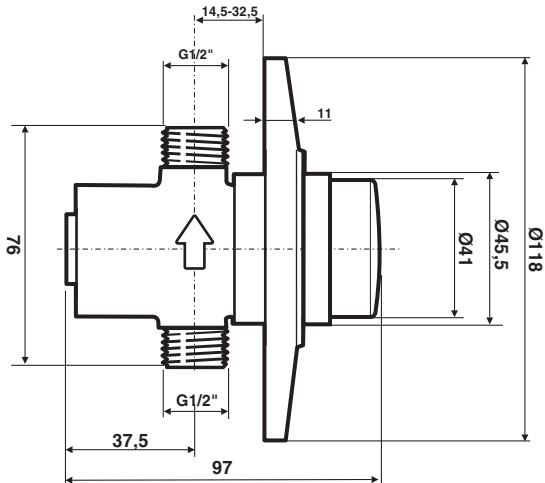


5A7824C00

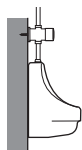
3



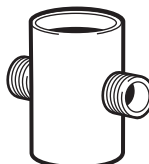
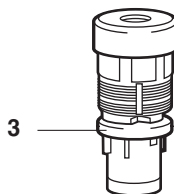
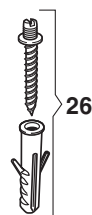
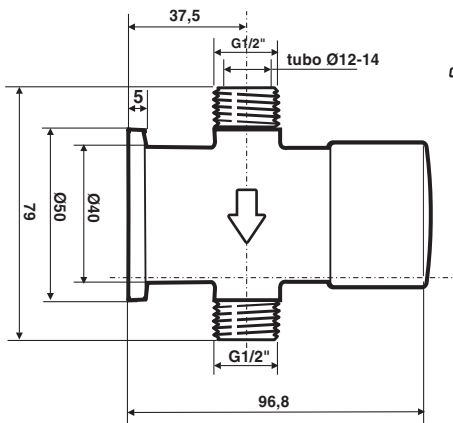
5A2724C00



5A2624C00

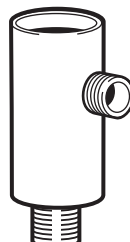
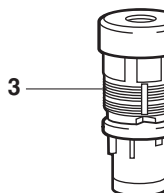
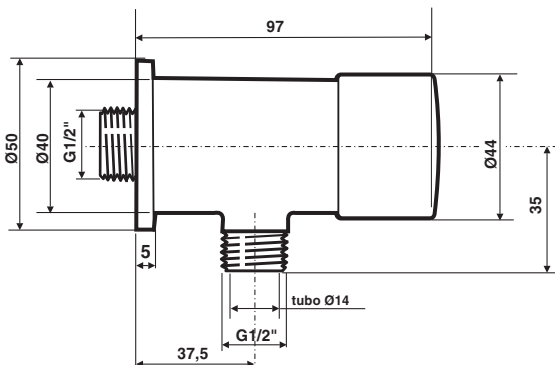
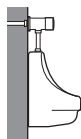


5A9317C00



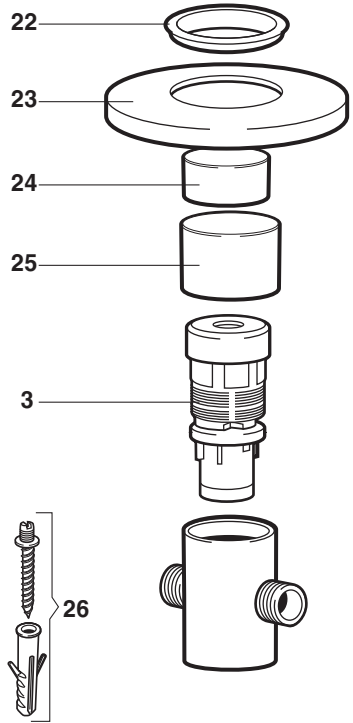
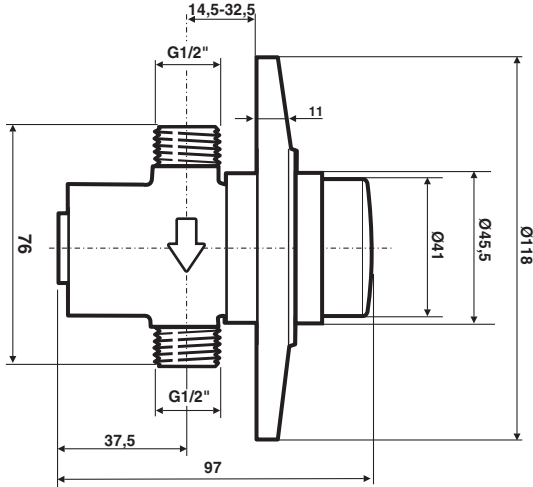
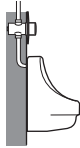
5A9124C00

5A9317C00



5A9224C00

5



5A9024C00

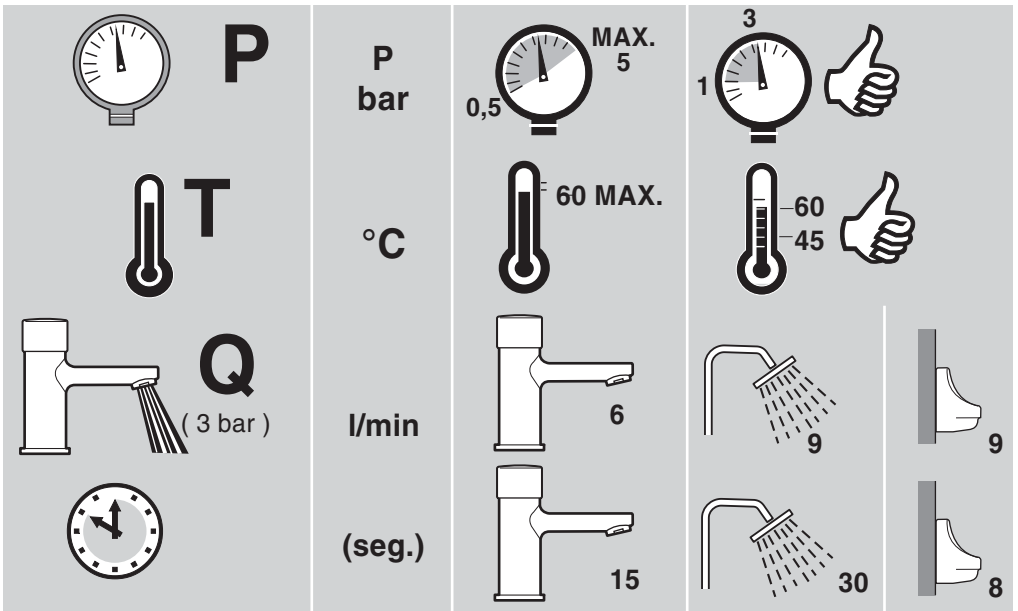
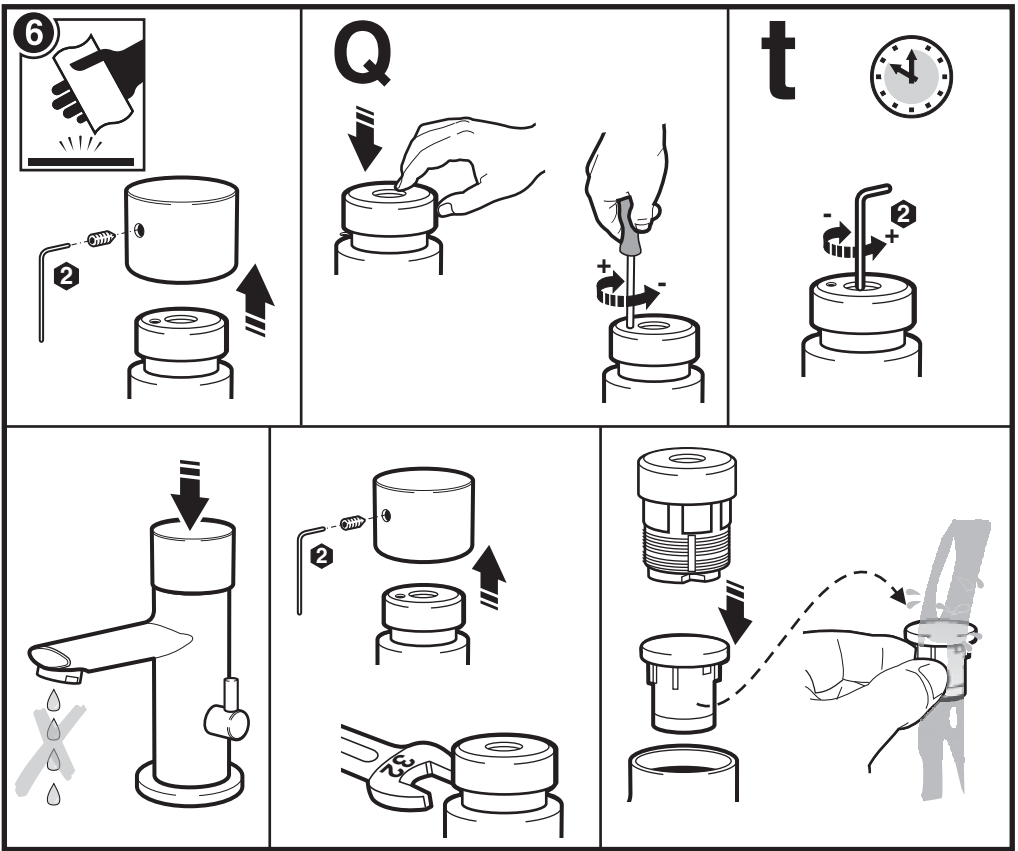


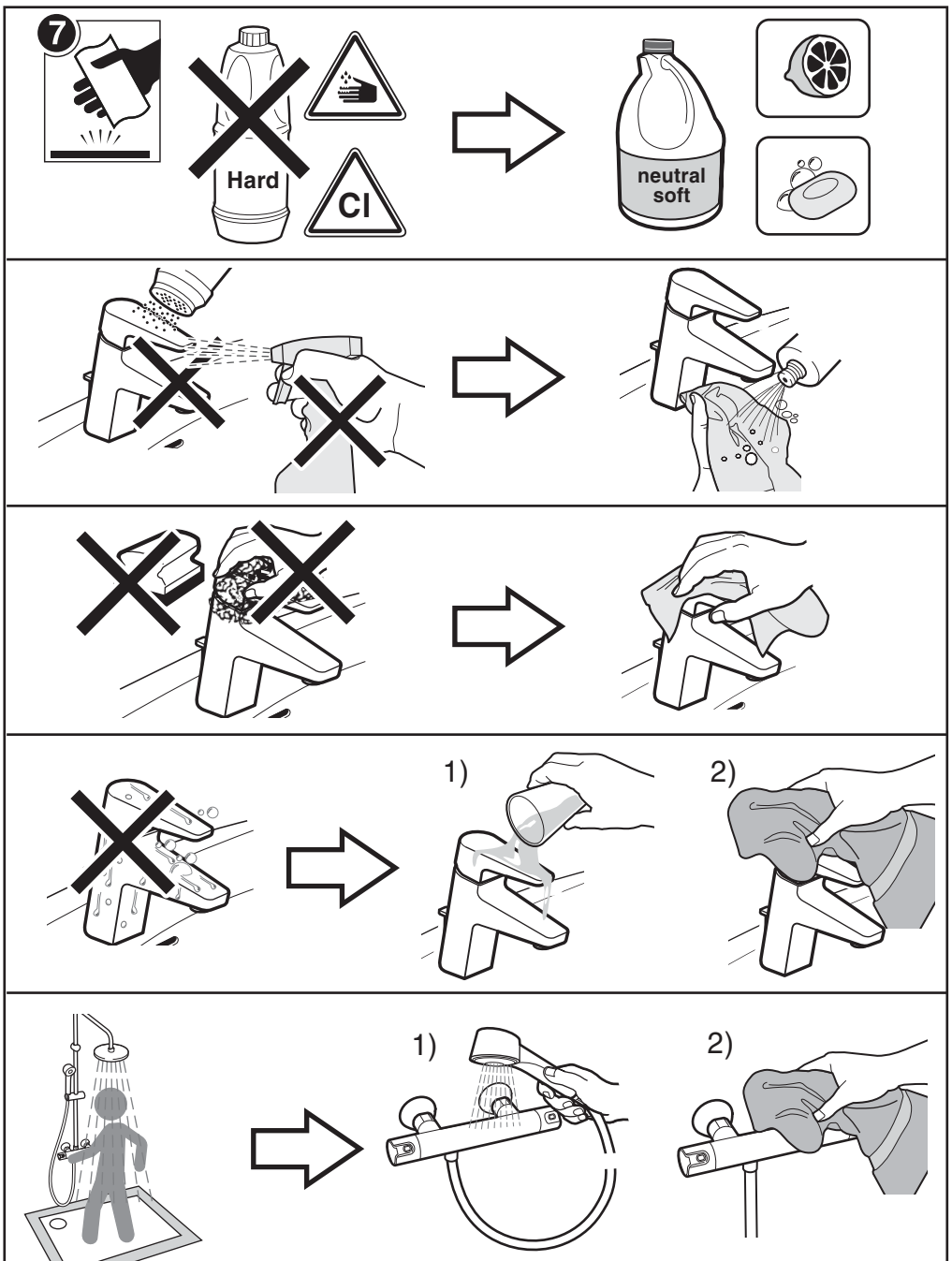
1 - 5015216
 2 - 5226670
 3 - 5059112
 4 - 5053240
 5 - 5017503
 6 - 5237608
 7 - 5226669
 8 - 5237609

9 - 5217508
 10 - 5226868
 11 - 5057203
 12 - 5051240
 13 - 5057206
 14 - 5237611
 15 - 5036304
 16 - 5015217

17 - 5226672
 18 - 5059113
 19 - 5053241
 20 - 5017504
 21 - 5017505
 22 - 5237610
 23 - 5017506
 24 - 5017507

25 - 5017508
 26 - 5057207





Roca Sanitario, S.A.
 Avda. Diagonal, 513 -08029 Barcelona - SPAIN
 Teléfono 93 366 1200 - Fax 93 419 4501-
 www.roca.es

Roca