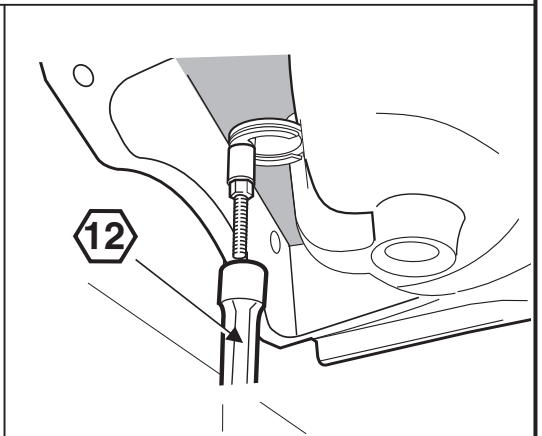
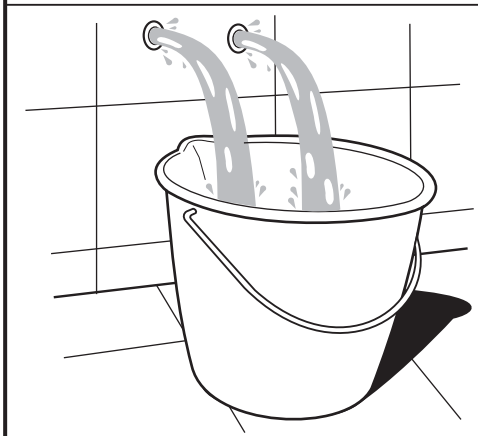
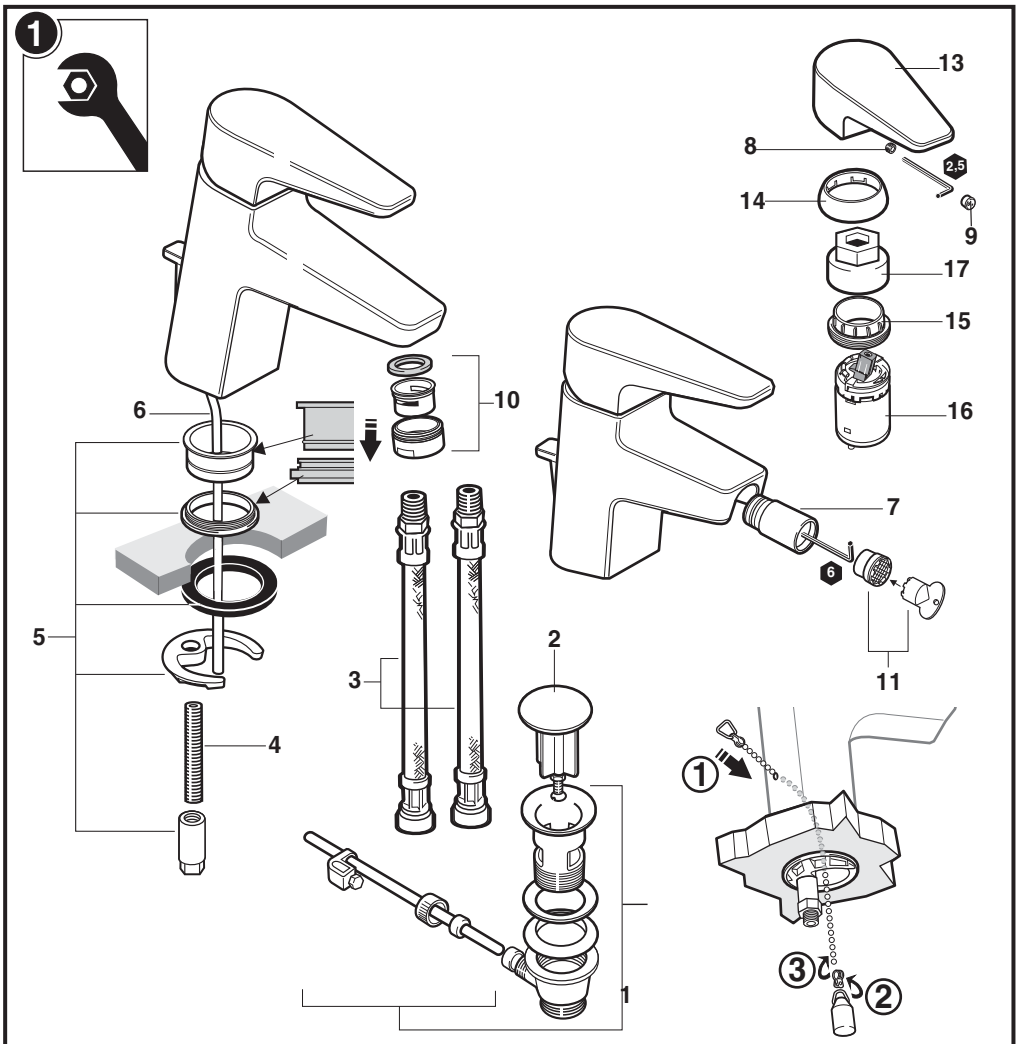
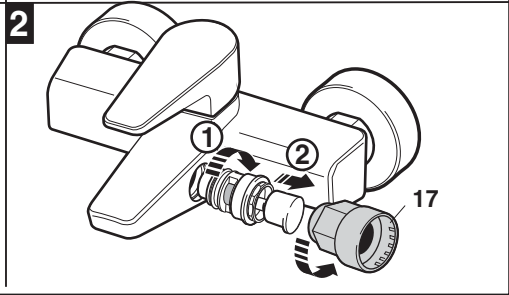
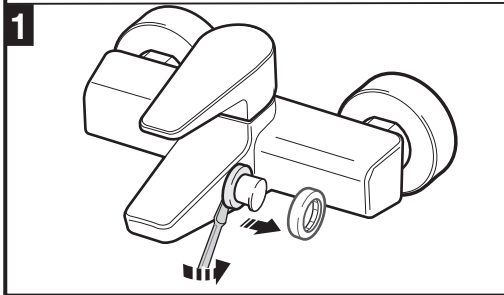
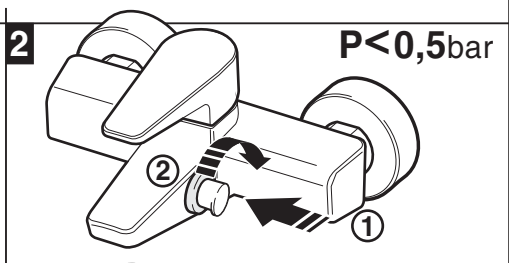
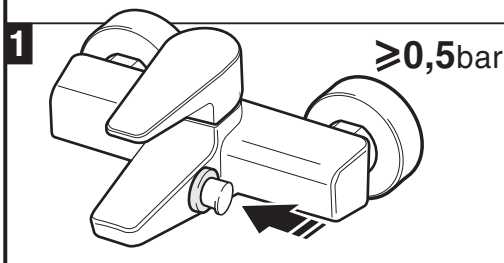
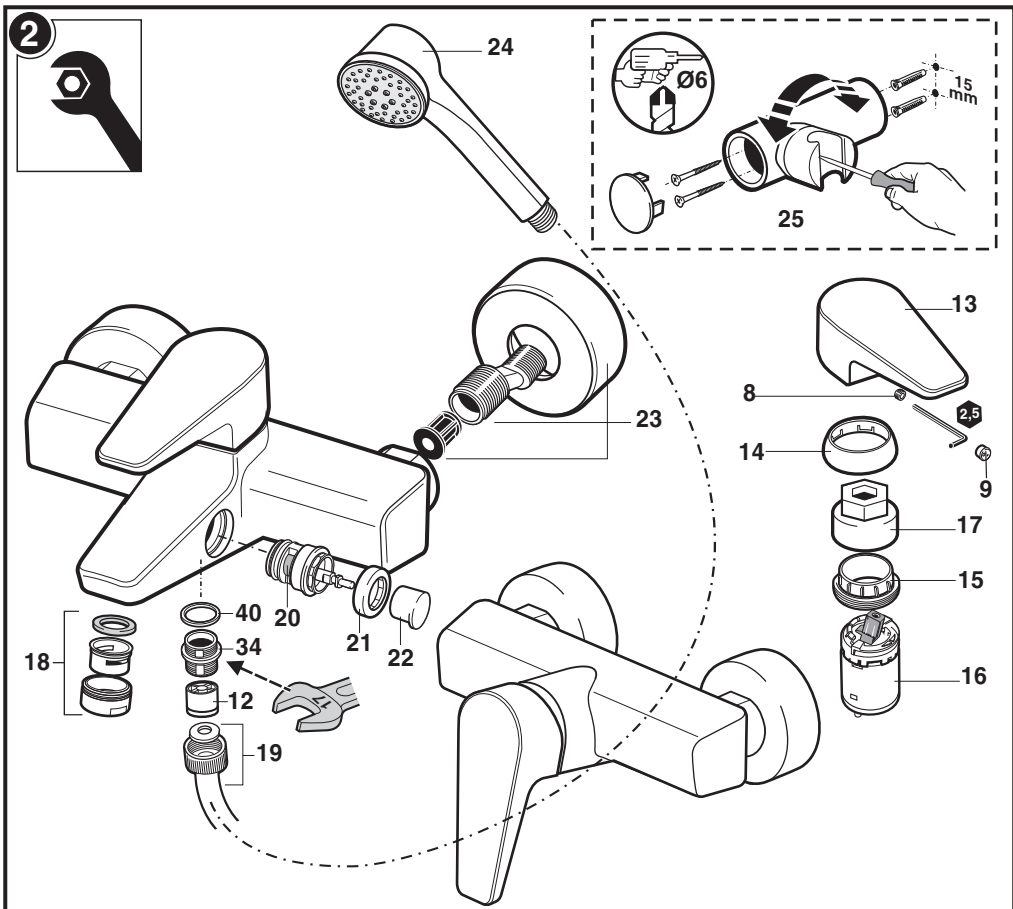


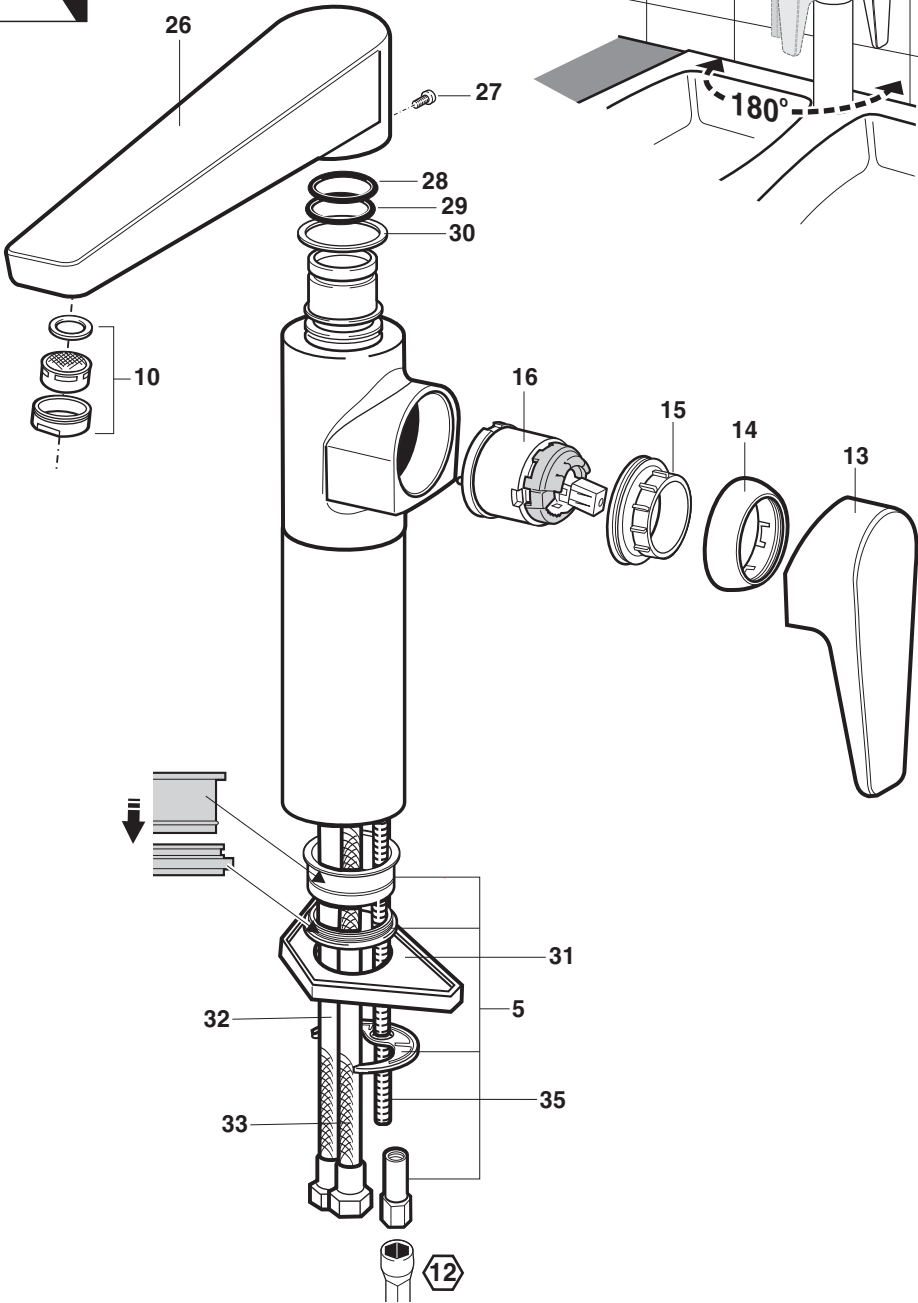
Roca

ESMAI

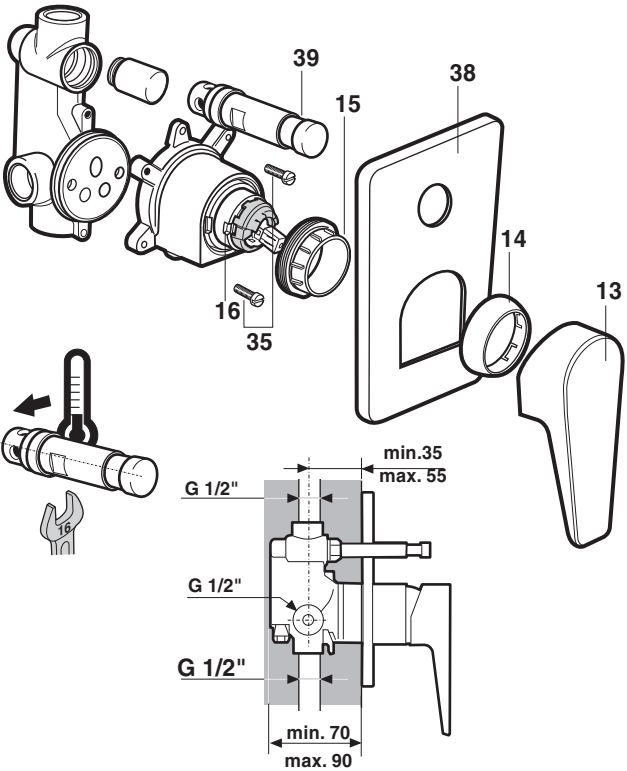
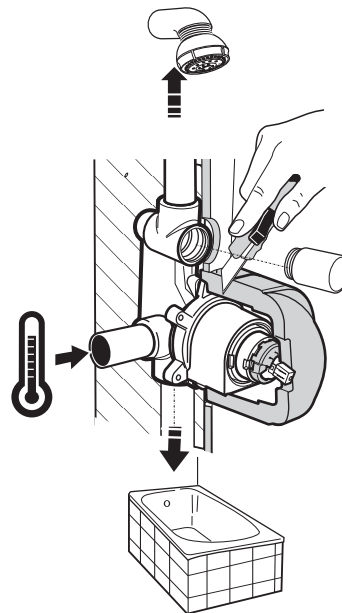
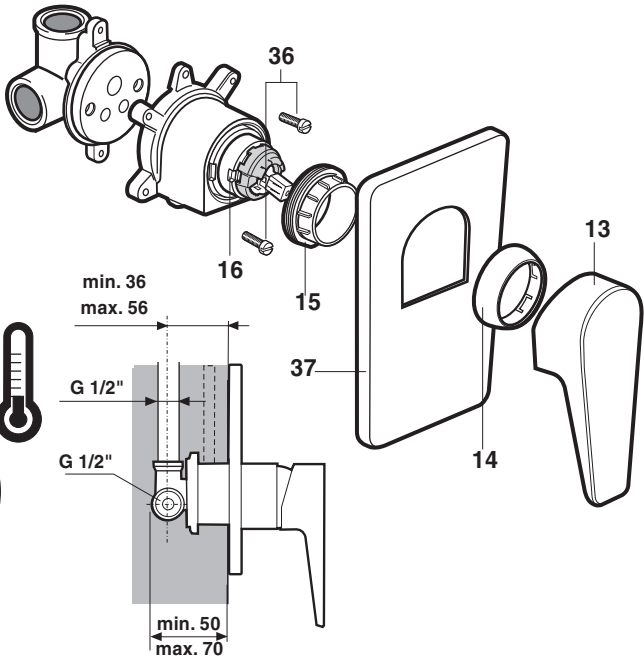
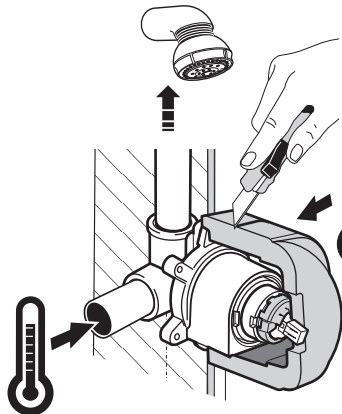






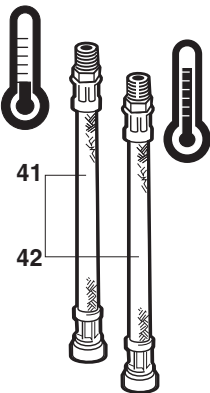
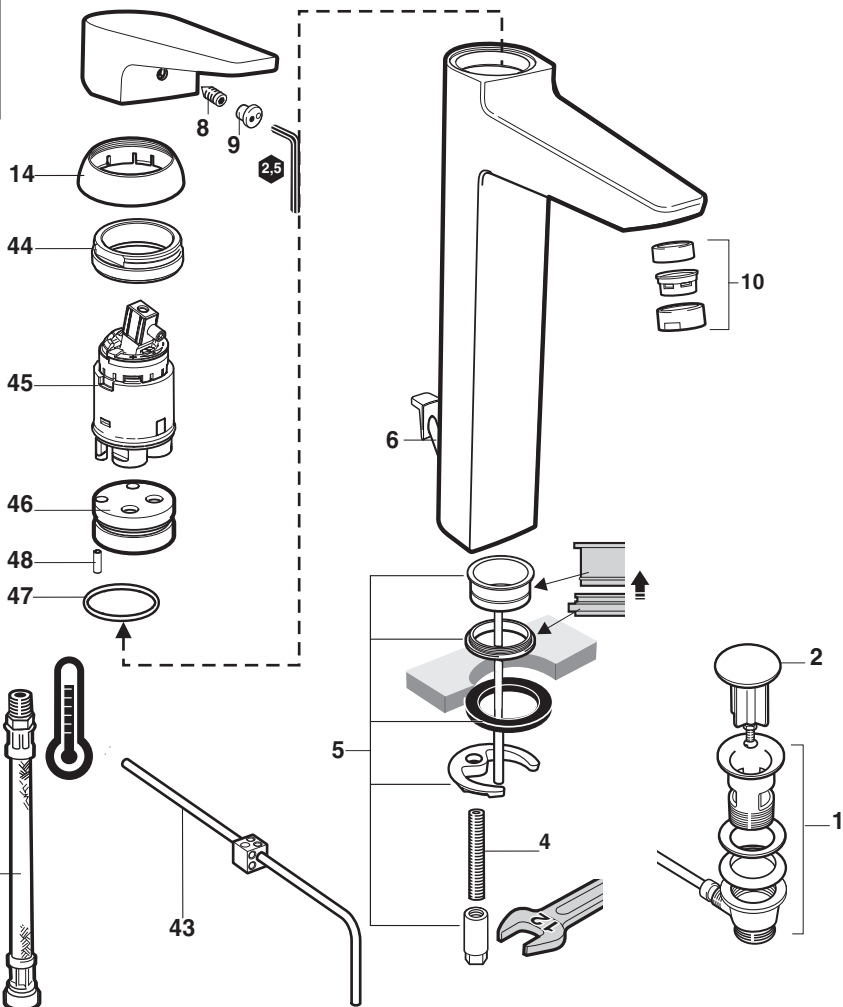


4

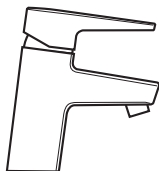
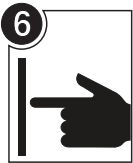




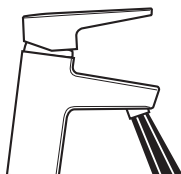
5



1- 525437100	12- 521536500	23- 525554100	34- 523211300	45- 525013507
2- 525001805	13- 523813200	24- 5B6046C00	35- 522665803	46- 522701603
3- 525761409	14- 523630707	25- 5B6046C00	36- 522629603	47- 543367407
4- 522665103	15- 525941507	26- 505715700	37- 525842400	48- 522418003
5- 525769203	16- 523910207	27- 521109400	38- 525842500	
6- 525770900	17- 525389300	28- 525093703	39- 525160200	
7- 525554500	18- 525389300	29- 523361707	40- 543360007	
8- 525096203	19- 525761100	30- 543352907	41- 525769609	
9- 543837307	20- 525160000	31- 523757807	42- 525771109	
10- 525300700	21- 523813600	32- 523841907	43- 525771109	
11- 505119507	22- 523542500	33- 525771109	44- 522635503	



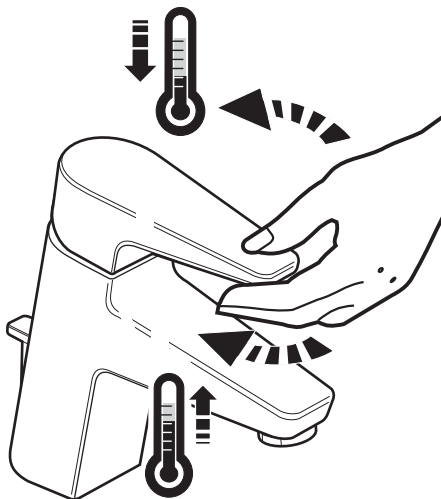
0%



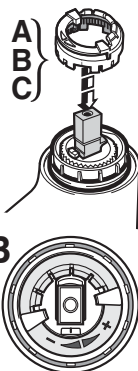
50%



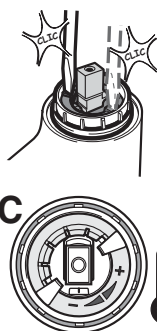
100%















A

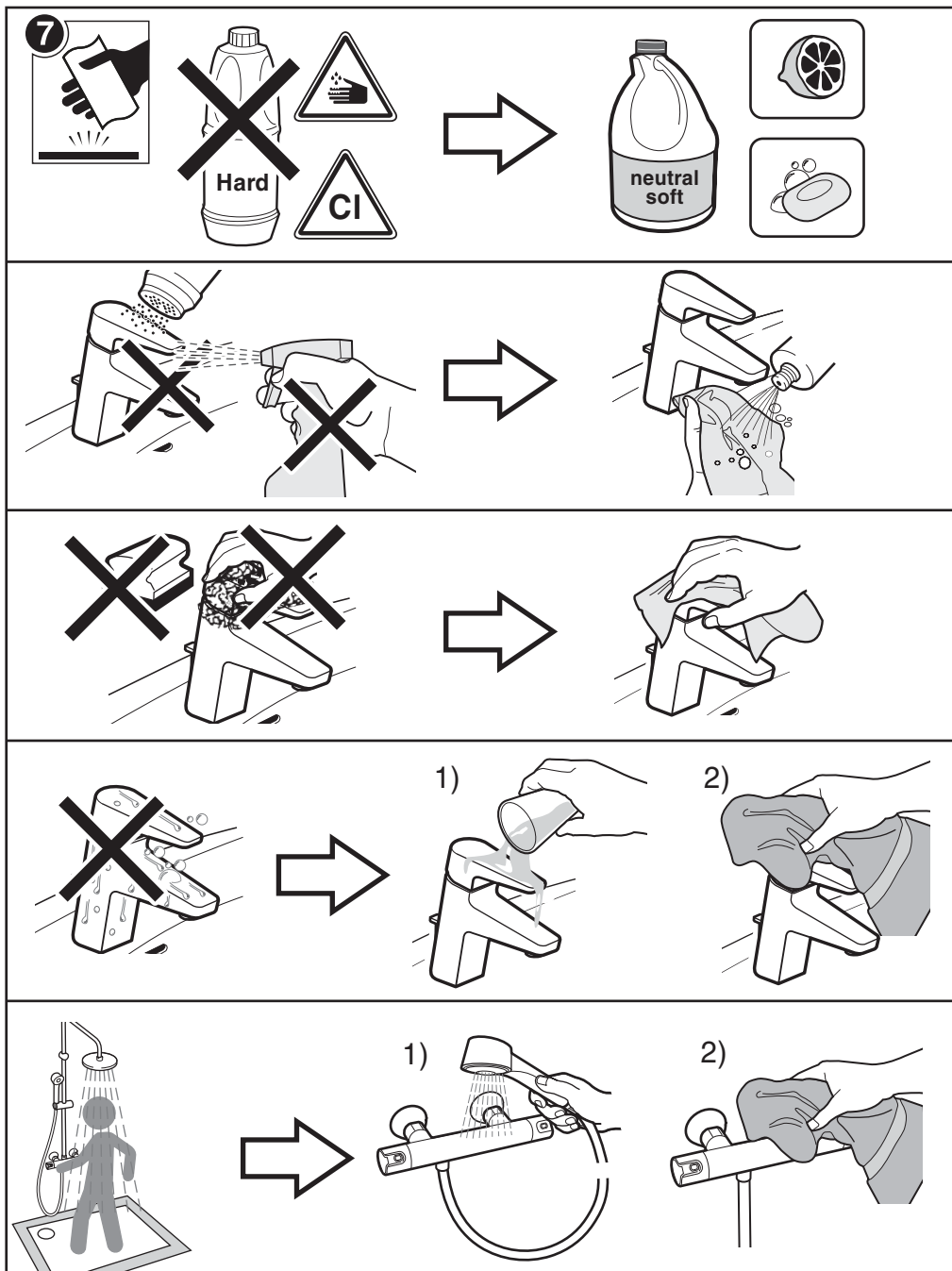


B



C

 P	P bar		 
  T	°C		 
 Q (3 bar)	l/min	 12	 20



Roca Sanitario, S.A.
 Avda. Diagonal, 513 -08029 Barcelona - SPAIN
 Teléfono 93 366 1200 - Fax 93 419 4501-
 www.roca.es

Roca