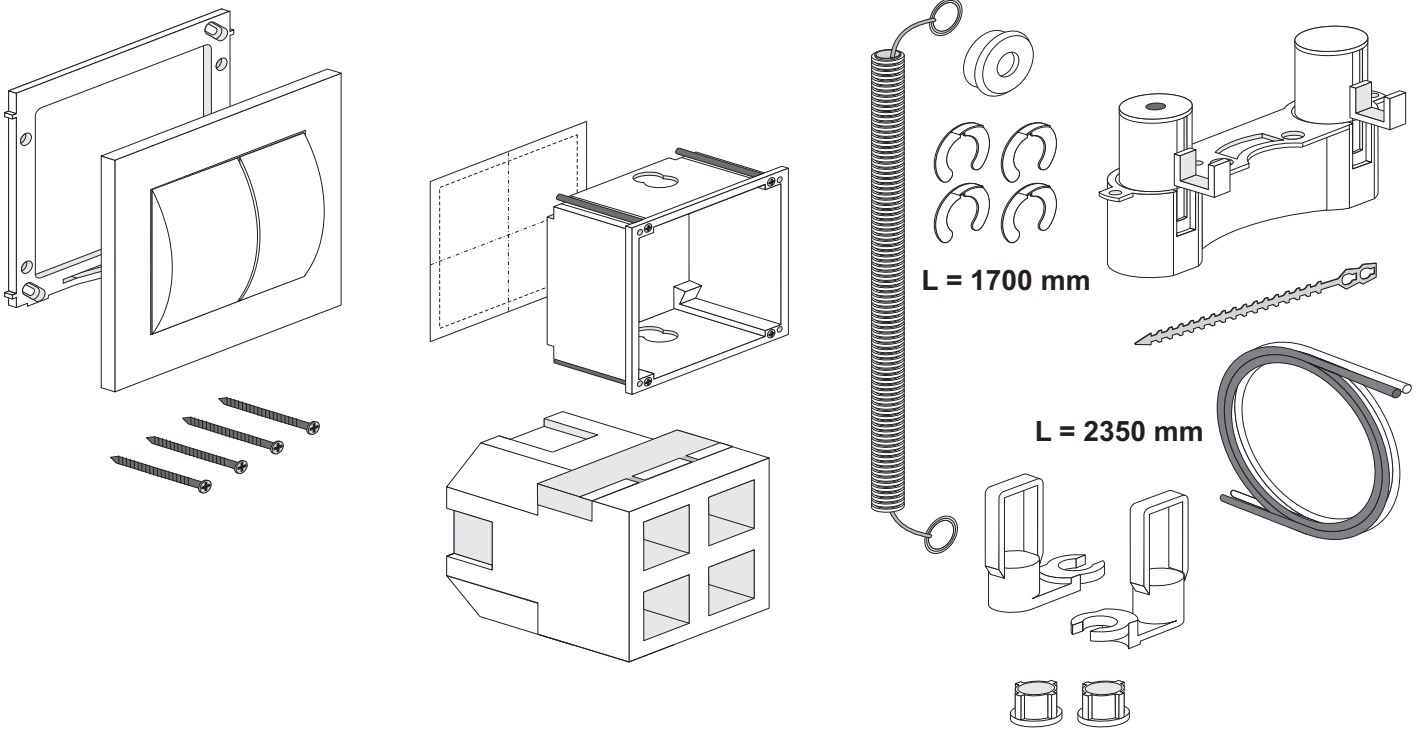




# N1 DUAL WHITE

PNEUMATIC VALVE



PM-308-26--0000-1/15

