



Roca

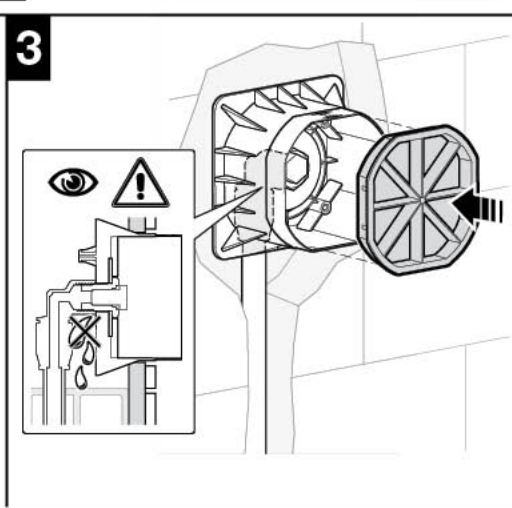
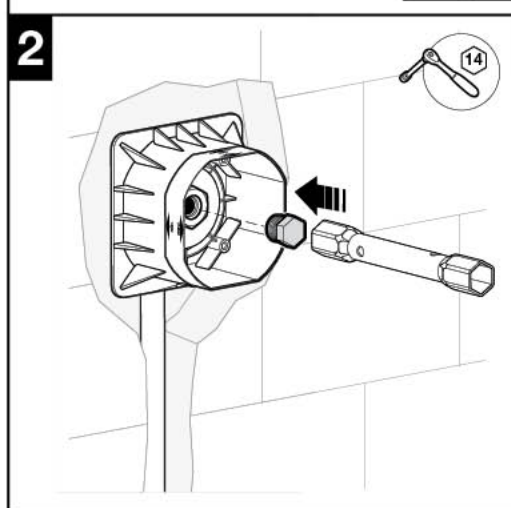
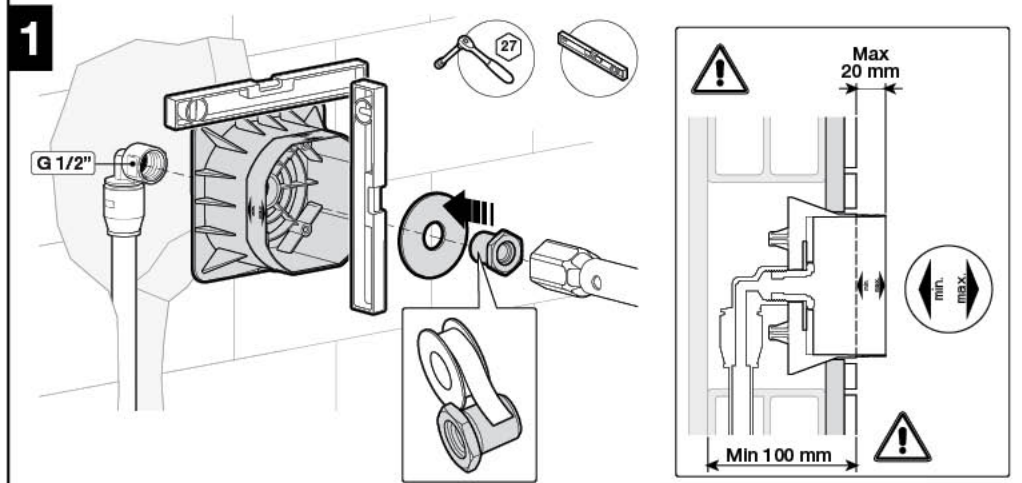
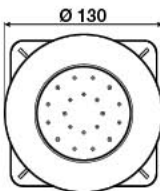
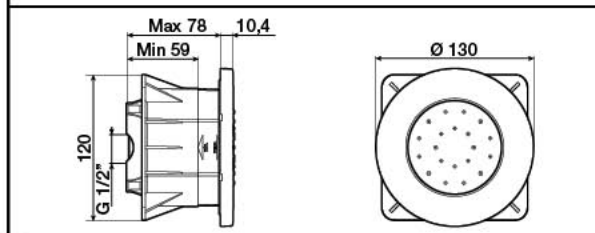
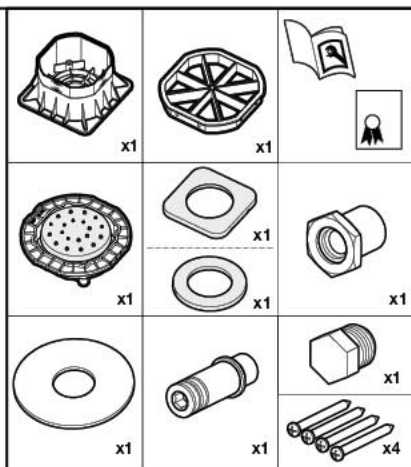
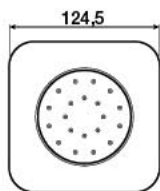
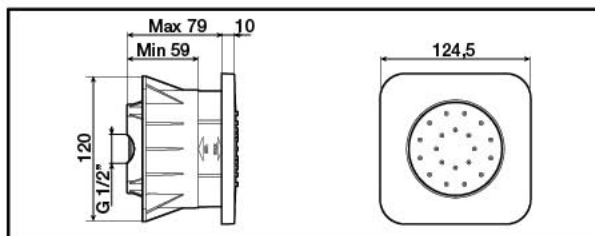
PUZZLE

A5B3778C00

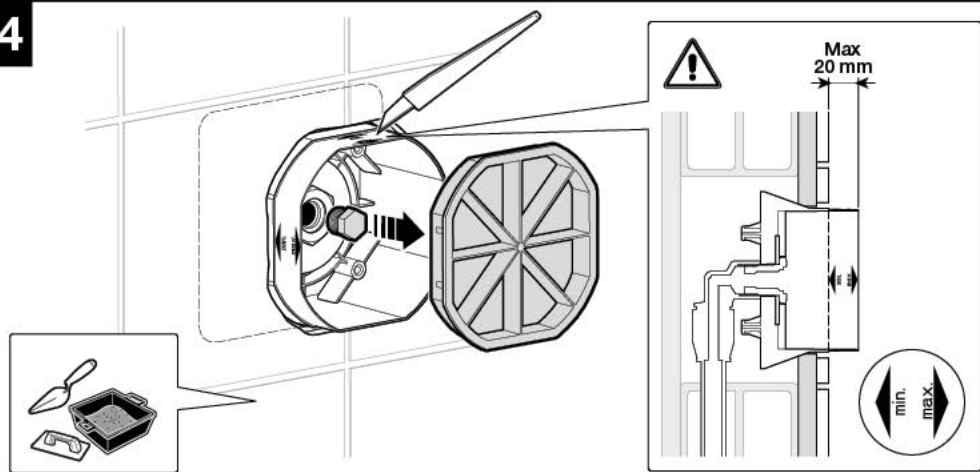


A5B3878C00

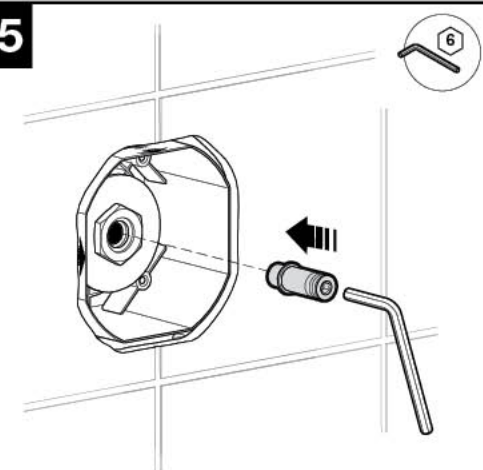




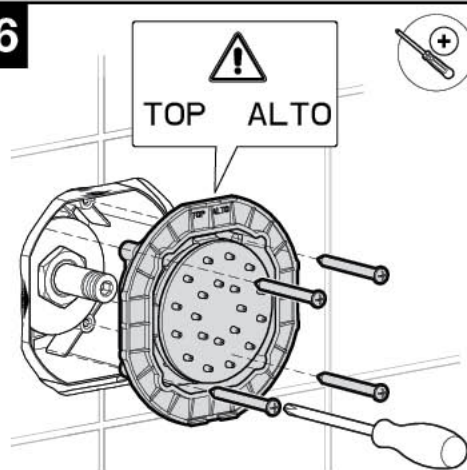
4



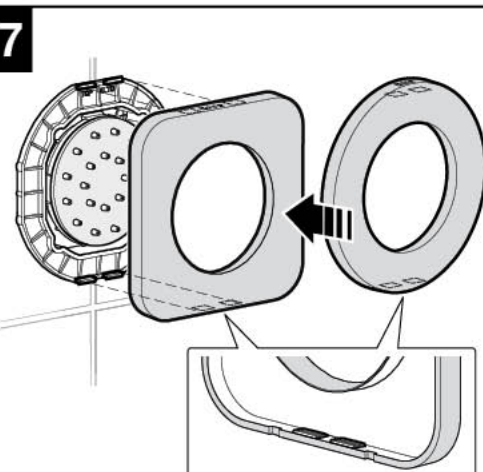
5



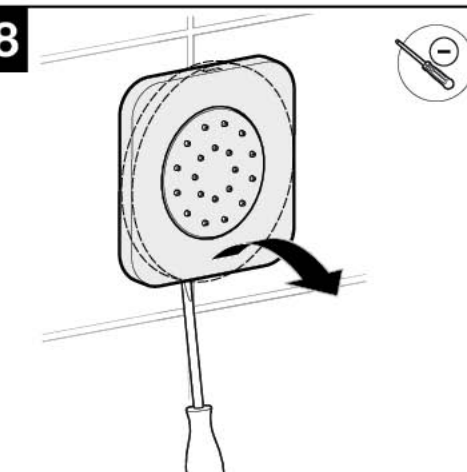
6

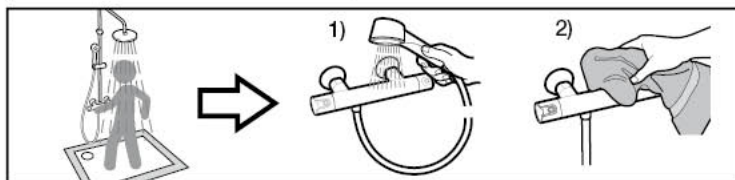
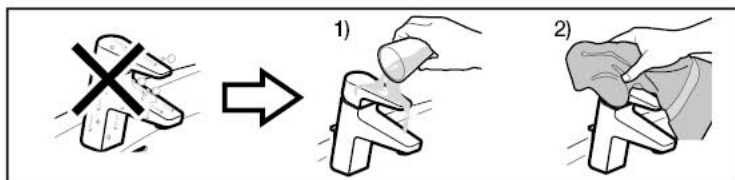
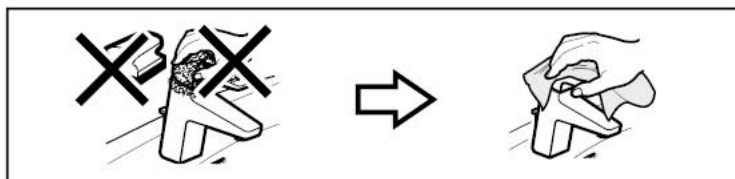
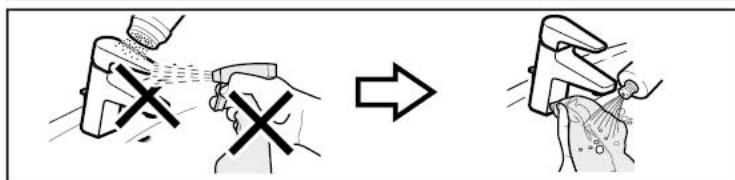
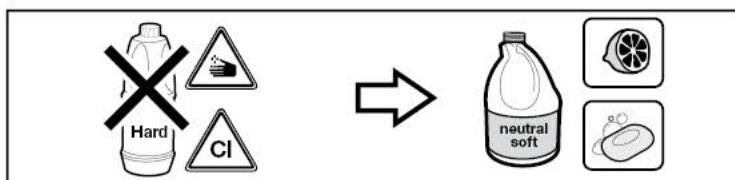








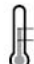



7



8





 P	P bar	MIN. 1  5 MAX.	 3 
 T	°C	 80 MAX.	 65  50
 Q (3 bar)	l/min	 4	