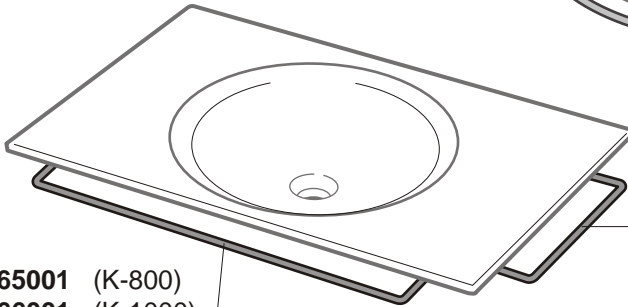
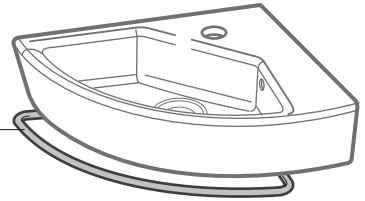




Roca

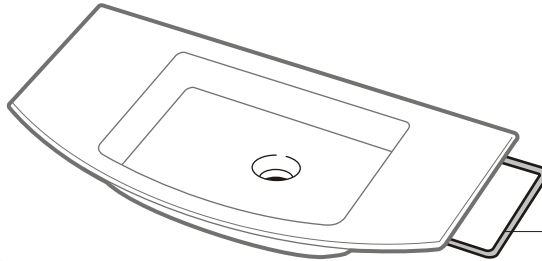
HALL / KALAHARI / MOHAVE

8-40628001

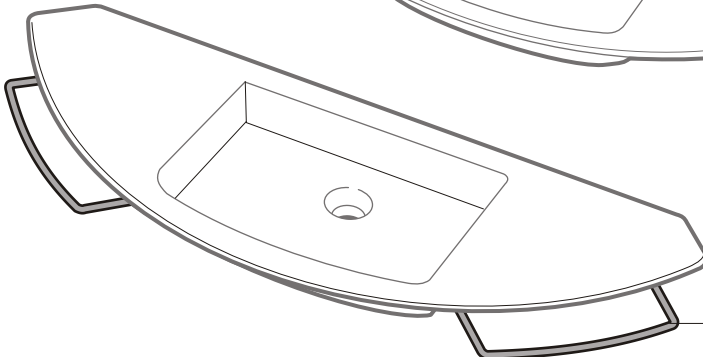


8-40523001

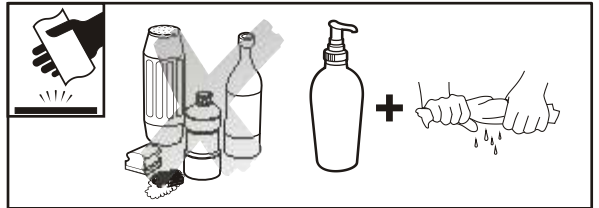
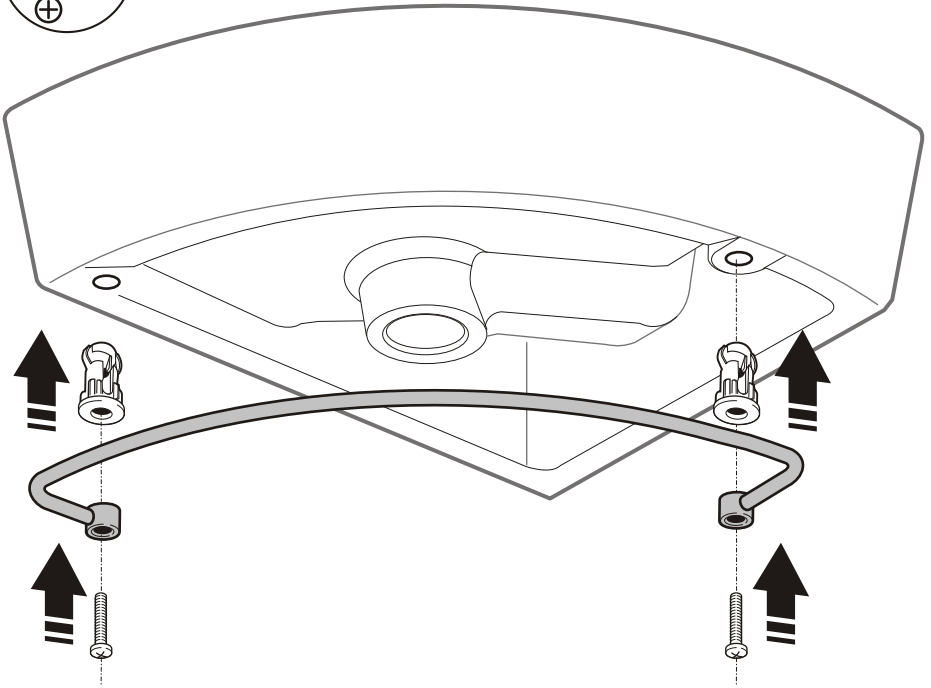
8-40665001 (K-800)
8-40666001 (K-1000)
8-40667001 (K-1200)



8-40524001



8-40597001



Roca Sanitario, S.A.

Avda. Diagonal, 513
08029 Barcelona SPAIN
Teléfono 93 366 1200
Fax 93 419 4501
www.roca.es

Roca

8-47286
L.P.8-13-01
hoja 7-2